

Plastic Cyclone Filters



Advantages of UDI plastic cyclone filters:

The tangential inlet of the cyclone causes a hydrocyclone effect, as a result of which sand and similar materials are separated from the water, at a small loss of pressure and an efficiency exceeding 95%.

By using multiple cyclones in one mounting the capacity can be expanded while maintaining a high efficiency.

The sand collected in a tank at the bottom of the filter is discharged by operation of a hand valve.

Applications:

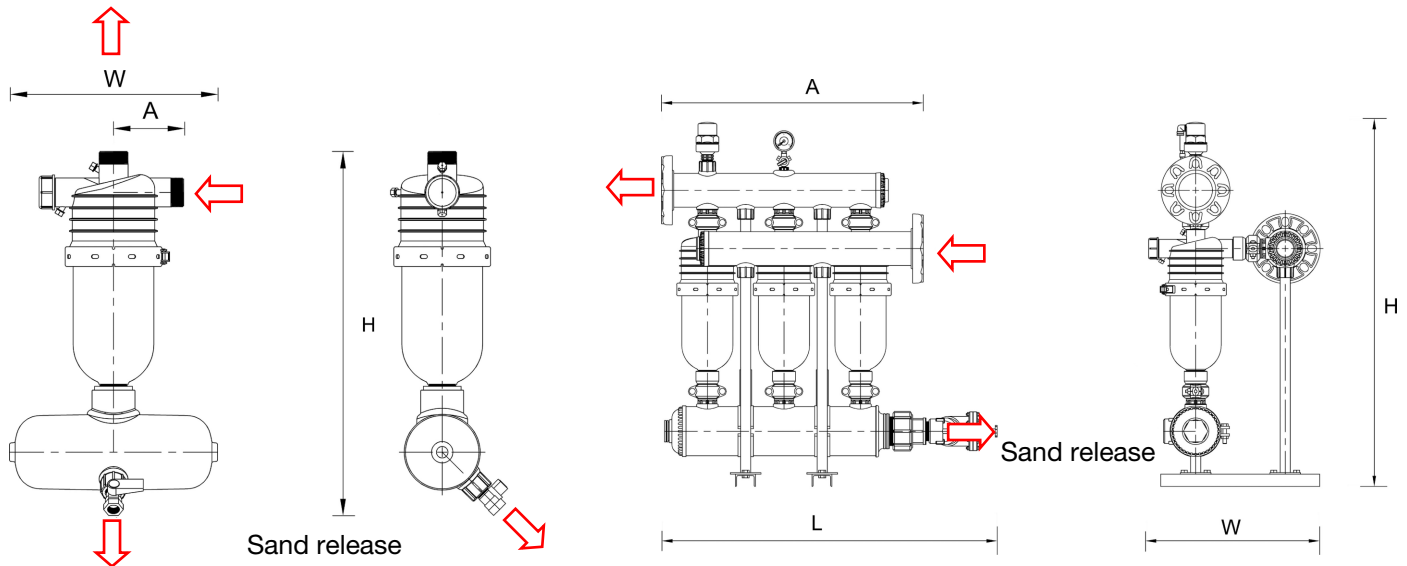
- Pre-filtration of media filters
- Groundwater filtration
- Vegetable washers
- Cooling water systems
- Separation processes
- Fish processing industry



Subject to modifications.
No liability accepted for errors or misprints

Materials:

- Filter body and cover: reinforced polyamide
- Clamp rings and screw: stainless steel
- O-ring + seals: EPDM



Type	Unit	7U521P050	7U522P110	7U523P110	7U524P110	7U525P160
Connection	inch	2" -BSP	4"	4"	4"	6"
Nom. diameter	mm	50	110	110	160	160
Number of cyclones	st	1	2	3	4	5
Max. pressure	bar	10	10	10	10	10
Capacity	m ³ /h	15 - 25	30 - 50	45 - 75	60 - 100	75 - 125
Overall length A	mm	145	605	855	1105	1355
Width W	mm	430	564	564	778	778
Length L	mm	-	829	1079	1160	1410
Height H	mm	755	1200	1200	1200	1200
Weight	kg	7,8	52	78	110	146

Application guideline:

Model	Particles larger then (microns)			7U522P	7U523P	7U524P	7U525P
	150	100	50	m ³ /h			
Efficiency (%)	90	85	82	30	45	60	75
	95	90	85	40	60	80	100
	98	95	90	50	75	100	125