

Circulation Filters



Advantages of circulation filtration:

Separation of the dirt from the water using flow energy. Large dirt-discharging capacity at minimal loss of flushing water.
Well-adjusted inflow keeps the filter element clean.

Advantages of UDI® circulation filters:

Strong steel with resistant plastic provide a filter which is suitable for many purposes. A high working pressure (max. 8 bar) poses no problem. The UDI® circulation filter has a PVC filter element with a stainless steel filter mesh of 75 to 800 microns.

By removing or adding plugs, the flow velocity can be optimised.

Discharging dirt can be automated in a simple manner.

To increase the dirt-discharging capacity, the filter can be applied cross-flow.

All models can be modularly interconnected to form units of any shape and capacity, if necessary with a joint dirt-discharge tank.

A comprehensive range of fittings, connectors, and rapid couplings of the same make is available for assembling the units.

A stainless steel version of the filter is optionally available.

The largest models are available with a pre-filter to capture large particles (stone trap).



Circulation Filters 3000 Series

Technical data

Coating:

In preparation for the coating, the filters are provided with a special layer of zinc phosphate.

This treatment ensures proper adhesion of the coating, and protects against rusting-through from the inside. Subsequently, the polyester coating is applied electrostatically, both internally and externally, before being furnace-hardened. The entire process involves 7 steps, and results in a perfect coating with a thickness of approximately 120 microns.

Model:

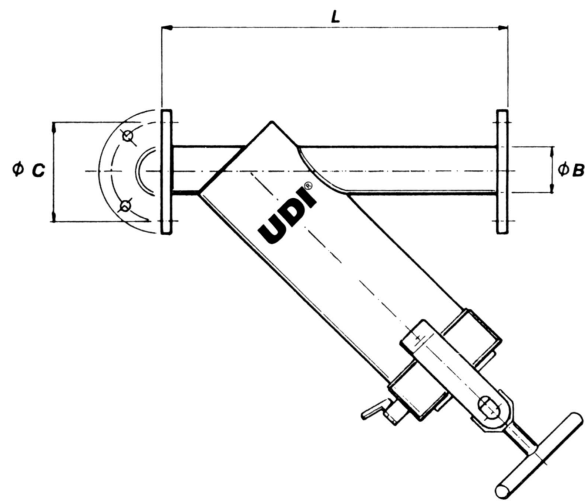
In-line, the filter body pointing downwards.

Applications:

- Recirculation systems
- Cooling water processes
- Washing-/flushing water purification
- Basin water filtration
- Irrigation systems

Materials:

- Polyester-coated steel
- Neoprene rubbers
- Nylon whirl plate
- PVC filter element with stainless steel filter screen
Perforation: 75, 100, 130, 200, 300, 435, and 800 microns (other perforations upon request)



Type	Unit	4U3015D	4U3020D	4U3020F	4U3030F	4U3040F	4U3060F
Connection Capacity Flange (ISO 7005 PN16)	inch m ³ /h	1.5" 3.5-11	2" 11-30	2" 11-30	3" 12-40	4" 25-65	6" 45-150
Connection B Diameter	mm	-	-	50	80	100	150
Pitch C	mm	-	-	165	200	220	285
Holes	mm	-	-	125	160	180	240
Overall length L	mm	-	-	4 * Ø 18	8 * Ø 18	8 * Ø 18	8 * Ø 22
Weight	kg	400	400	410	460	565	930
Max. pressure	bar	15	17	19	23	42	95
ΔP	bar	10					
Flushing	l/flushing	0.3-0.5					
		2-5					



Subject to changes and/or typo errors