

Galileo Boxer **UDI**[®] filters

Benefits of UDI Galileo Boxer disc filters:

The **UDI** Galileo Boxer automatic disc filter is composed of one or several S.K. filters whose filter element consists of plastic discs compressed on a variable holder.

This unique flushing mechanism opens up the filter element during the flushing cycle. Filtration using a compressed pack of grooved filter discs, especially developed to better filter out organic dirt/waste from water, results in a better filtrate. Coarse particles of dirt are caught on the outside, while the finer dirt particles are trapped in the pack of discs on the grooves that have been applied crosswise on the filter discs. This leads to a degree of deep filtration which is comparable to sand-bed filtration.

During the flushing cycle, a powerful jet from a multi-jet nozzle system removes the dirt settled on and in the element from the lightly rotating, pressed-open filter discs. This results in complete cleaning with a minimum of flushing water. The shape and dimensioning of the unit can be adapted to any system. The **UDI** Galileo Boxer is a fully automatic self-cleaning system. Due to the modular construction, it is possible to realise any capacity.

Product features:

- Small footprint
- Low filter volume
- Minimum flushing water loss
- Continuous service



Subject to modifications.
No liability accepted for errors or misprints

Galileo Boxer automatic disc filter Technical Data

Applications:

- Cooling water systems
- Water intake
- Recirculation systems
- Irrigation systems
- Post-filtration
- Pre-filtration of disinfection equipment
- Preparation for micro and ultra filtration

Technical specifications / module:

- Filter surface: 1760cm²
- Max pressure: 10 bar
- Min flushing pressure: 2,8 - 5 bar *
- Flushing capacity: 10m³/h (see the manual for guideline capacity)
- Flushing water ± 60 ltr/module
- Max operating temperature: 60°C
- Connection filter: 3"
- Ph 4-11 resistant
- Filter discs 400 - 200 -130 - 100 - 70 - 55 - 40 - 20 microns (on request: 10 microns)

Low-pressure model:

LCE

- Max pressure: 6 bar
- Min flushing pressure: 1,5 - 5 bar *

* depending on fineness of the filter discs



Galileo Boxer Ext.

Galileo Boxer automatic disc filter Technical Data

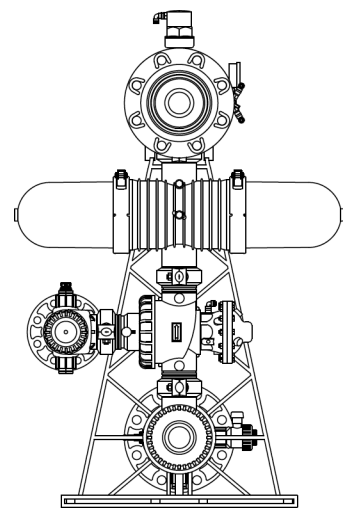
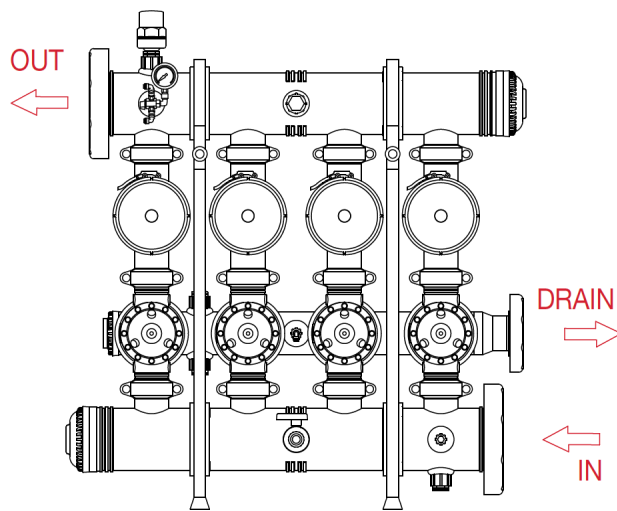


Options:

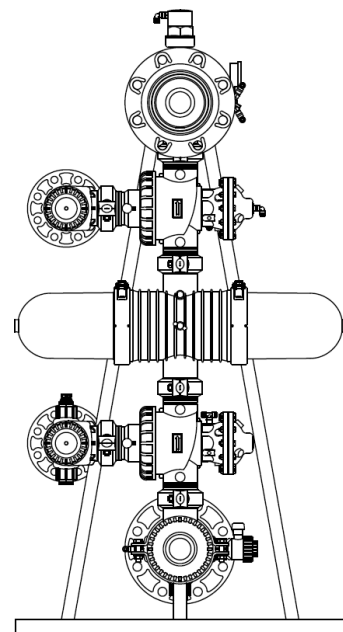
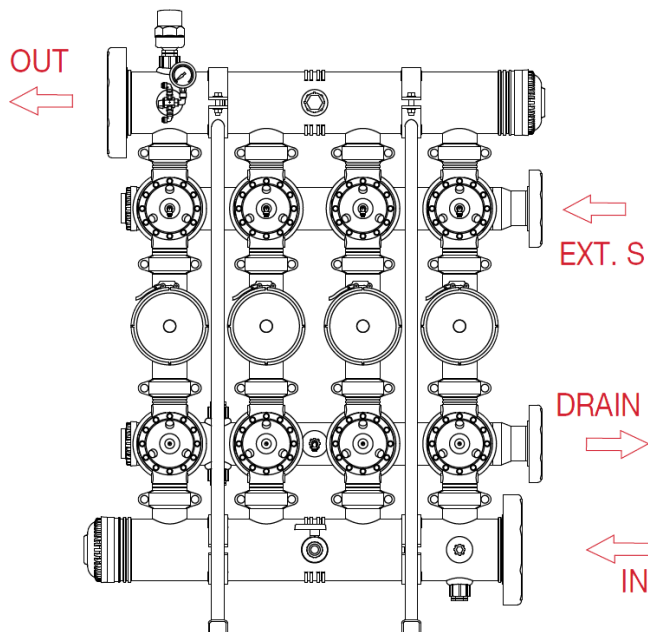
- External flushing

Materials:

- Filter body: reinforced polyamide
- Filter discs: polypropylene (option: nylon)
- Flushing valve: Stainless steel 400, polyamide
- Valve(s): plastic
- Other: Stainless steel, Buna N



Galileo Boxer



Galileo Boxer Ext.



Subject to modifications
No liability accepted for errors or misprints