

# Manual

## Self-cleaning suction basket



### General instructions:

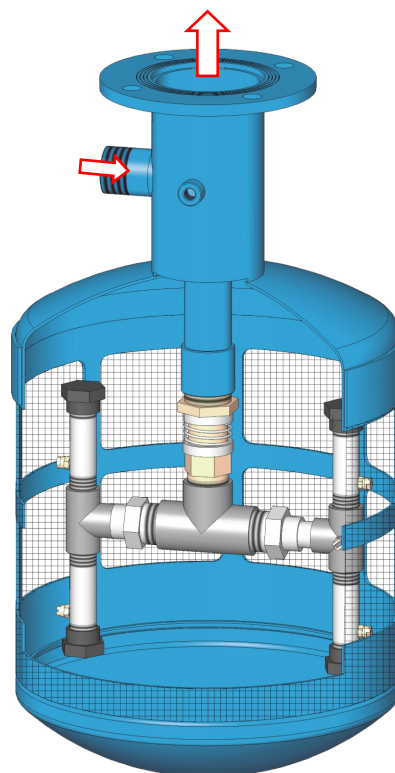
UDI self-cleaning suction baskets are designed to be installed at the start of the suction line. It is connected to the pump inlet and submerged in the water source. (river, lake, reservoir etc.). The pump is thus protected against damage and/or blockage with the result that repairs and energy loss are prevented. The screen is kept clean during pump operation by continuously rotating jets (using pump pressure through the water jet system supply line) blowing away the debris from the screen. The water jet system supply line includes a screen filter to protect the jets, a pressure gauge mounted on a three way valve for checking the head loss across the screen filter and a manual valve for screen filter's maintenance.

### Installation:

The strainer can be installed at any position. The strainer must be located at least 300 mm above the bottom of the reservoir, lake, canal etc. and not closer than 200 mm to any object. Connect the strainer to the pump inlet, a foot valve / check valve should be installed. Install the flushing system supply line from the pump pressure line to the strainer water jet system supply line. If pipe length is more than 10 m', a 2" (50 mm) pipe should be installed. Flush thoroughly the back flushing system supply line before connecting it to the strainer to prevent the spray jets from getting clogged.

### Operation:

In case of heavy dirt load, the strainer must be flushed continuously. In case of normal or light dirt load, the strainer must be flushed when clogged or at least once a week. (According to local conditions) Recommended back-flushing line pressure: 2 - 3 bar. If the back flushing line pressure is lower than 1.5 bar, a booster pump should be installed to increase flushing pressure. Before operating the back-flushing process, check that the jets protecting screen filter is not clogged. Clean filter will guaranty proper operation of the back-flushing process. Open slowly the manual valve, until the pressure reaches the recommended pressure (2-3 bar). Check that the jets system function properly. Flush the strainer for 15 - 30 seconds, and then close the valve (9) slowly.



Type	Unit	4U6604	4U6606	4U6608
Connection	inch	4"	6"	8"
Max. capacity	m <sup>3</sup> /h	100	230	380
Flush. press. min.	bar	2 - 3	2 - 3	2 - 3
Flushing capacity	m <sup>3</sup> /h	5	5	5



Subject to modifications  
No liability accepted for errors or misprints

**Manual**  
**Self-cleaning suction basket**

**Maintenance:**

Clean the jets protecting filter periodically and at DeltaP of  $\geq 0.7$  bar.

Check the pressure loss for the control filter and the flushing pressure on the nozzles using the 3-way selector (6).

Inspect every 2 - 3 months that the water jets system function properly, and the jets are not clogged.

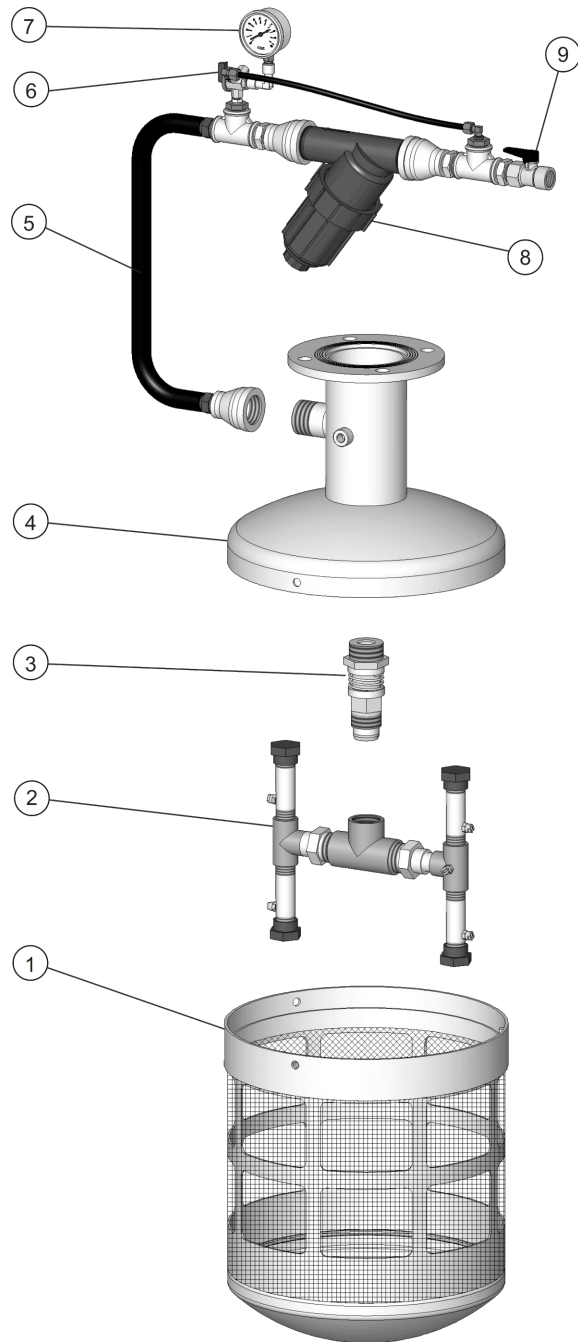
For servicing the jets or the bearings, the entire screen of the strainer can be removed simply by removing the screws.

Any damage to the protective coating of the filter must be repaired immediately. Before applying the protective paint, the damaged spot must be cleaned thoroughly using a steel wire brush.

**Note:**

In view of on-going improvements, we reserve the right to change specifications at any time without prior notice.

Each filter comes with this manual which includes the installation, operating, and maintenance instructions.



#	Part
1	Screen assembly
2	Jets assembly
3	Bearing
4	Strainer body
5	1½" Hose
6	3-Way valve
7	Pressure gauge
8	Control filter
9	Control valve