

## **Advantages of UdiMatic**

The UdiMatic, an automatically self-cleaning filter, offers an efficient solution to filtration at a minimal loss of pressure and flushing water. The self-cleaning system sucks the deposited dirt/waste from the filter gauze in approx. 8 seconds, while not interrupting the filtering process.

The filter element composed of stainless-steel filtering layers sintered to one another has an extremely effective filtering surface. Equipped with maximum differential pressure protection, a controller box with a flushing program and an electrically-operated drain valve, the filter is supplied "ready to be plugged in". The UdiMatic is a complete automatic filter for use in a wide range of installations.

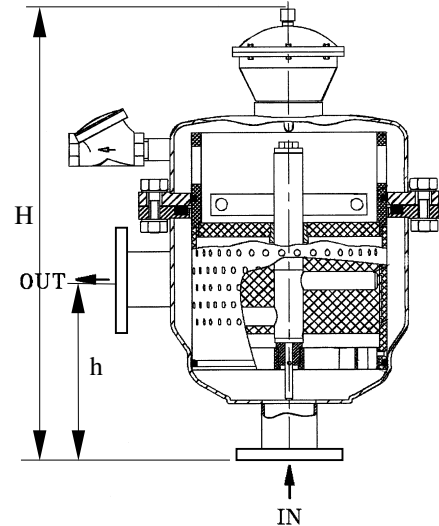


**Description:**

Angle-patterned model, flange connection for vertical assembly, inlet from the bottom.

**Applications:**

- Process water
- Cooling-water processes
- Re-circulation systems
- Irrigation systems



**Materials:**

- Filter body: Polyester coated steel (option: st.st.)
- Filter element: Super screen; multiple layers of st.st. sintered together (option: PVC screen).
- Rubbers: Natural rubber NR
- Filter perforation: 400-300-200-130-100-75 microns (on request: 50-30 microns).

Type	Unit	785191	785192	785193	785194	785196	785198
Connection	inch	1½"	2"	3"	4"	6"	8"
Capacity*	m <sup>3</sup> /h	15	25	40	60	150	300
Flange: (ISO 7005 PN10) DN	mm	40	50	80	100	150	200
-Bolt circle dia.	mm	110	125	160	180	240	295
-Bolt holes	mm	4*Ø18	4*Ø18	8*Ø18	8*Ø18	8*Ø22	8*Ø22
Weight	kg	32	32	42	42	65	78
H.	mm	540	540	740	740	1310	1530
h.	mm	230	230	280	280	540	700
Filter surface	cm <sup>2</sup>	580	580	1100	1100	4500	6200
Working pressure max.	bar	10	10	10	10	10	10
Drain-valve	inch	1x1"	1x1"	1x1"	1x1"	1x1½"	1x1½"
Flushing capacity approx.	m <sup>3</sup> /h	5	5	5	5	10	14
Flushing pressure min.	bar	1	1	1	1	1	1
Flushing water approx.	ltr	10	10	10	10	40	55

\* The maximum capacity related to 200 mic. or greater.