

# Plastic Disc Filters

## Advantages of UDI® plastic disc filters:

The filter element composed of loose plastic discs is very easy to clean. When taking off the pack, adhering parts of dirt can be rinsed off under running water. The grooves are provided crosswise in the discs, thus enabling deep filtration. The filtrate can therefore be compared with the results of sand-bed filtration.

The UDI® plastic disc filters have a robust design.

The compressed plastic discs constitute a solid and strong filter element which is also resistant to high differential pressures. The filters are entirely made of plastic and are resistant to fertilizer-enriched feed water. The disc set is compressed by a stainless steel spring in the filter cover ( $\frac{3}{4}$ "-1 $\frac{1}{2}$ ").

The UDI ® plastic disc filter series includes seven models:

- $\frac{3}{4}$ "
- $\frac{3}{4}$ " with block valve
- 1"
- 1" super
- 1 $\frac{1}{2}$ "
- 1 $\frac{1}{2}$ " super
- 2" dual

The disc filters are available in 6 filter perforations, with a color coding. The disc set is easily removable. Opening of the filter is easily done manually, by:

- Unlocking the filter body ( $\frac{3}{4}$ ").
- To loosen a nut that clamps the cap to the filter body (1" and 1 $\frac{1}{2}$ ").
- To open a clamp which hold the filter parts to each other (2").



### Applications:

The UDI® plastic disc filters are often used as a safety component of an installation. In addition, they are used as prefilters at the water intake, as fine filters when re-using circulation water and as fine filters on a valve assembly.

### Materials:

UDI® plastic disc filter series ¾”:

- Filter body and cover: polyester
- Discs and core: polypropylene
- Spring: stainless steel
- O-ring: NITRILE rubber
- Option: with hand valve

UDI® plastic disc filter series 2” Dual:

- Filter body, cover and core: reinforced polyamide
- Discs: polypropylene
- Clamp and screw: stainless steel
- O-ring + seals: EPDM

UDI® plastic disc filter series 1” and 1½”:

- Filter body, cover and core: reinforced polyamide
- Discs: polypropylene
- Spring: stainless steel
- O-ring: NITRILE rubber

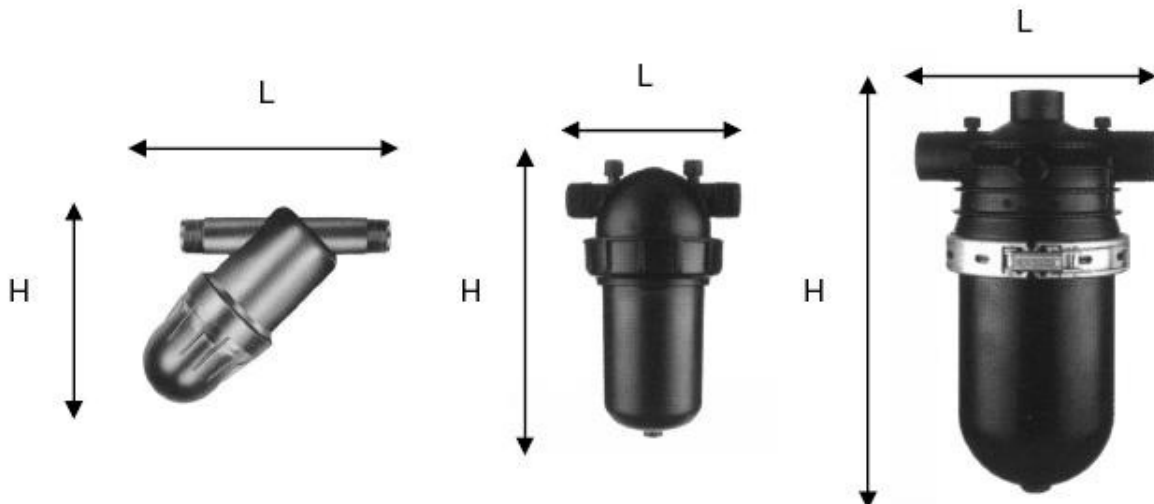
Type	Unit	7U107D*	7U110D*	7U111D*	7U115D*	7U117D*	7U122D*
Connection (BSP male thr.)	Inch	¾”	1”	1”	1½”	1½”	2”
Nom. diameter	mm	20	25	25	40	40	50
Max. working pressure	bar	10	10	10	10	10	12
Max. capacity	m³/h	4	6	8	10	12	25
Filtering area	cm²	160	316	500	316	500	953
Filter volume	cm³	95	440	592	440	592	1225
Length of filter element	mm	114	139	228	139	228	261
Disc outside diameter	mm	45	70	70	70	70	115
Length L	mm	152	158	158	200	200	130/260
Height H	mm	205	225	347	235	357	465
Weight	kg	0.37	1.1	1.42	1.33	1.51	5

\*)When ordering, complete article number with number of microns.

Choice from: 400, 200, 130 and 100 mic. for ¾”

400, 200, 130, 100 and 55 mic. for 1” and 1½”

400, 200, 130, 100, 55 and 20 mic. for 2”



UVAR

Subject to changes and/or misprints