

Screen filters series 1000

Technical Data



Description:

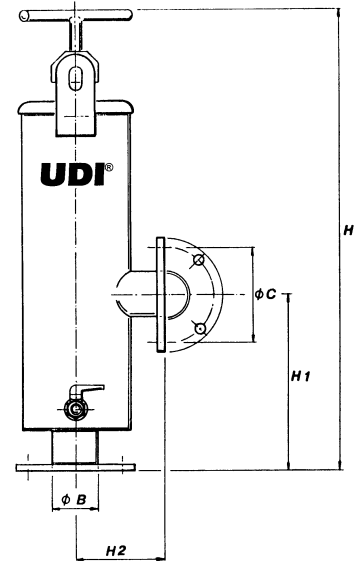
Angle-patterned model, filter screen on the outside of the element

Applications:

- All water intakes
- Cooling-water systems
- Re-circulation systems
- Watertransport systems
- After media filters
- Distribution systems
- Sprinkler systems

Materials:

- Polyester-coated steel
 - Neoprene rubbers
 - PVC element with st.st. filter screen
- Perforation: 75, 100, 130, 200, 300, 435 and 800 microns



Type : Angle-patterned	Unit	4U1015D	4U1020D	4U1020F	4U1030D	4U1030F
Connection B	inch	1,5"	2"	2"-fl	3"	3"-fl
Capacity	m ³ /h	10-15	15-25	15-25	28-38	28-38
Flange (ISO 7005 PN16)						
Bolt circle dia. C	mm	-	-	125	-	160
Bolt holes	mm	-	-	4*Ø18	-	8*Ø18
H	mm	420	470	480	730	730
H1	mm	240	170	250	280	275
H2	mm	100	140	140	125	140
Weight	kg	6	13	16	19	22
Working pressure	bar	8	8	8	8	8
Max. Pressure	bar	10	10	10	10	10



UVAR

Subject to changes and/or misprints

Screen filters series 2000

Technical Data

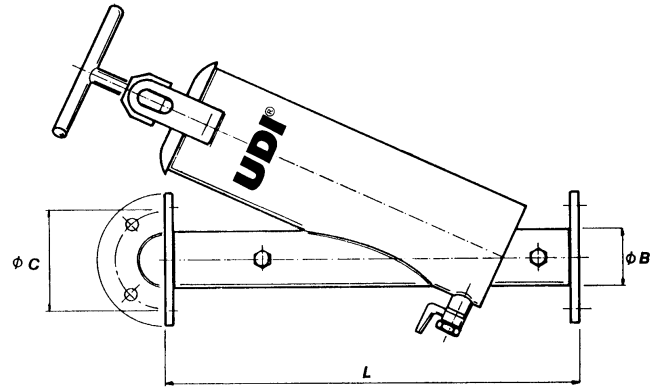


Description:

In-line model, filter screen on outside of the element

Applications:

- All water intakes
- Cooling water systems
- Re-circulation systems
- Watertransport systems
- After media filters
- Distribution systems
- Sprinkler systems



Materials:

- Polyester coated steel
 - Neoprene rubbers
 - PVC inside element with st.st. filter screen
- Perforation: 75, 100, 130, 200, 300, 435 and 800 microns

Type : in-line	Unit	4U2020F	4U2030D	4U2030F	4U2040F	4U2260F
Connection B	inch	2"-fl	3"	3"-fl	4"-fl	6"-fl
Capacity	m ³ /h	15-30	30-40	30-40	40-80	80-200
Flange (ISO 7005 PN16)						
Bolt circle dia. C	mm	125	-	160	180	240
Bolt holes	mm	4*Ø18	-	8*Ø18	8*Ø18	8*Ø22
Length L	mm	470	580	555	690	900
Weight	kg	17	21	25	40	72
Working pressure	bar	8	8	8	8	8
Max. pressure	bar	10	10	10	10	10



UVAR

Subject to changes and/or misprints

BS-Screen filters series 6000

Technical Data

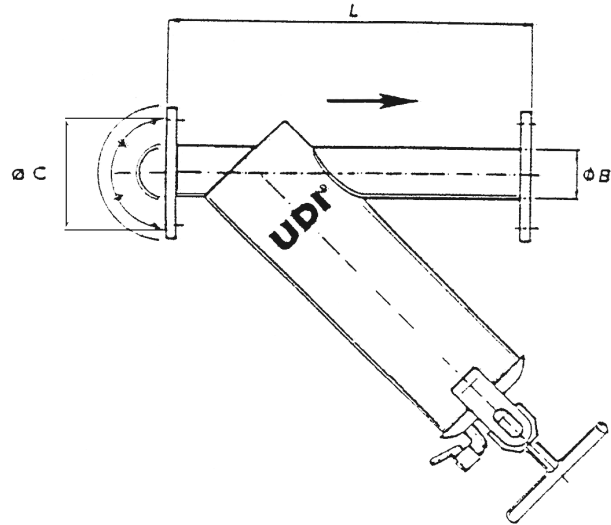


Description:

In-line model, filter screen on outside of the element

Applications:

- All water intakes
- Cooling water systems
- Re-circulation systems
- Water transport systems
- After media filters
- Distribution systems
- Sprinkler systems



Materials:

- Polyester coated steel
- Neoprene rubbers
- PVC element with st. st. filter screen
Standard: 100, 130, 300, 435 microns
Option: 75, 200, 800 microns

Type : in-line	Unit	4U6030F
Connection B	inch	3"-fl
Capacity	m ³ /h	30-40
Flange (ISO 7005 PN16)		
Bolt circle dia. C	mm	160
Bolt holes	mm	8*Ø18
Length L	mm	555
Weight	kg	25
Working pressure	bar	8
Max. pressure	bar	10



Subject to changes and/or misprints