

# Cyclone filters series 5000

## Technical Data



### Description:

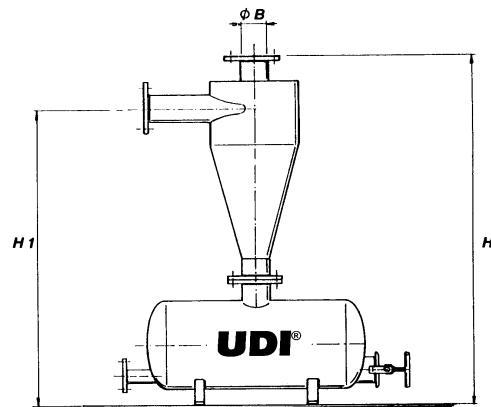
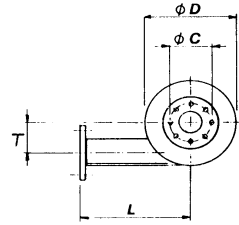
Upright cyclone filter with collection cell fitted underneath.

### Applications:

- Groundwater filtration
- Rinsing vegetables
- Fish processing industries
- Separation processes
- Cooling-water systems

### Materials:

- Polyester coated steel
- Neoprene rubbers



Type	Unit	50307	50410	50615	50820	50830	51243	51640	52060	52460
Connection B	inch	3/4"	1"	1,5"	2"	3"	1n4"/uit3"	4"	6"	6"
Capacity	m <sup>3</sup> /h	2-3,5	3,5-7,5	7,5-12	11-17	18-34	35-52	52-82	98-160	140-230
Diameter D	inch	3"	4"	6"	8"	8"	12"	16"	20"	24"
Flange (ISO 7005 PN16)										
Bolt circle dia. C	mm	-	-	-	-	160	180,160	180	240	240
Bolt holes	mm	-	-	-	-	8*Ø18	8*Ø18	8*Ø18	8*Ø22	8*Ø22
Volume collection cell	ltr	2	2	5	10	10	60	120	220	220
Drain connection	inch	1"	1"	1"	1"	1"	2"-dr	3"-fl	3"-fl	3"-fl
H	mm	400	460	720	735	830	1330	1720	1900	2155
H1	mm	320	380	580	575	660	1130	1480	1610	1860
T	mm	32	40	61	80	65	105	145	170	220
L	mm	120	140	240	295	300	500	600	600	600
Weight	kg	8	9	18	20	27	66	125	172	205
Working pressure	bar	8	8	8	8	8	8	8	8	8
Max. pressure	bar	10	10	10	10	10	10	10	10	10
ΔP	bar	0,2-0,5	0,2-0,5	0,2-0,5	0,2-0,5	0,2-0,5	0,2-0,5	0,2-0,5	0,2-0,5	0,2-0,5



Subject to changes and/or misprints