

# Circulation Filters



## **Advantages of UDI® circulation filters:**

Separation of water and dirt using flow energy. Large dirt-discharging capacity at minimal loss of flushing water.

Well-adjusted inflow keeps the filter element clean.

The **UDI®** circulation filter has a PVC filter element with stainless-steel filter gauze.

The flow velocity can be optimized by removing or adding plugs.

Discharging dirt can be automated in a simple manner.

All models can be modularly interconnected to form units of any shape and capacity, with a joint dirt-discharge tank if desired.

A comprehensive range of fittings, connectors and rapid couplings of the same make is available for assembling the units.

A stainless-steel version of the filter is available as an option.



Subject to changes and/or improvements

## Circulation filters series 3000 Technical Data

### Coating:

In preparation for the coating, the filters are provided with a special layer of zinc phosphate. This treatment ensures proper adhesion of the coating and protects against rusting through from the inside.

The polyester coating is subsequently applied electrostatically, both internally and externally, before being furnace-hardened. The whole process involves 7 steps, and results in a perfect coating having a thickness of approx. 100 microns.

### Description:

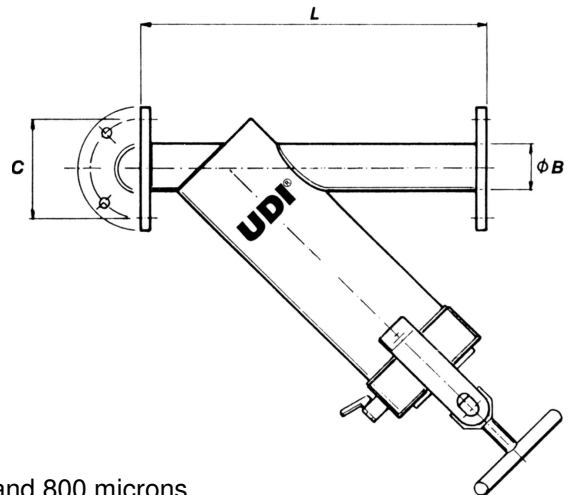
In-line, filter body aimed down

### Applications:

- Re-circulation systems
- Cooling-water processes
- Washing-/flushing water purification
- Basin water filtration
- Irrigation systems

### Materials:

- Polyester-coated steel
  - Neoprene rubbers
  - Nylon circulation plate
  - PVC element with st.st. filter screen
- Perforation: 75. 100. 130. 200. 300. 435 and 800 microns



Type	Unit	4U3015D	4U3020D	4U3020F	4U3030F	4U3040F	4U3060F
<b>Connection</b>	inch	1.5"	2"	2"	3"	4"	6"
<b>Capacity</b>	m <sup>3</sup> /h	3,5-11	11-30	11-30	12-40	25-65	55-200
<b>Flange (ISO 7005 PN16)</b>							
<b>Connection B</b>	mm	-	-	50	80	100	150
<b>Diameter</b>	mm	-	-	165	200	220	285
<b>Bolt circle dia. C</b>	mm	-	-	125	160	180	240
<b>Holes</b>	mm	-	-	4 * Ø 18	8 * Ø 18	8 * Ø 18	8 * Ø 22
<b>Length L</b>	mm	400	400	410	460	565	930
<b>Weight</b>	kg	15	17	19	23	42	95
<b>Working pressure</b>	bar	8					
<b>Max. pressure</b>	bar	10					
<b>ΔP</b>	bar	0,3-0,5					
<b>Flushing</b>	ltr/flushing	2-5					

