

Y Valve



Y Valve

The **Bermad** Y valves are hydraulically-operated valves provided with a diaphragm to be doubly actuated. These **Bermad** 300 Series Y valves are available in the sizes 1½", 2" and 3". There is also a 2" angle pattern (H) version. The double control chamber enables a very wide range of applications in the installation for open/closed and control functions.

Product features:

Due to the Y pattern, this valve has a very low loss of pressure at a high capacity. The double control chamber enables applications for low operating pressures without needing further adaptations. Gradual opening and closing prevents damage due to surges. Practically unaffected by soiling. Suitable for both regulating valve and for open/closed applications. Can be installed in any position.

Valve configurations:

- Hydraulic valve
- Electric valve
- Pressure-reducing valve
- Pressure-reducing / electric valve
- Pressure-regulating valve / relief valve

Applications:

- Irrigation systems
- Recirculation systems
- Cooling water circuits
- Automation filtering systems

Specifications:

Sizes / conn. 1½", 2", 3" Y and 2" angle BSP (thr.) and 3" flange ISO PN10

Pressure: 0.7 to 10 bar

Temperature: Water up to 80 °C

Materials:

Body 1½": plastic (P) or brass

Body 2": brass, option: nickel coated brass (N)

Body 3": cast iron, polyester coated

Valve Mechanism: nylon, brass and stainless steel

Membrane: nylon fiber reinforced NR (natural rubber)

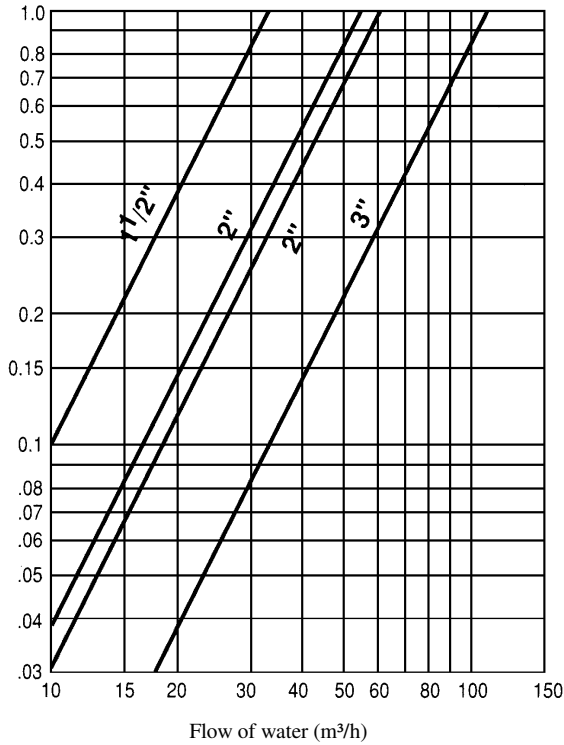
Seals: Buna N and NR



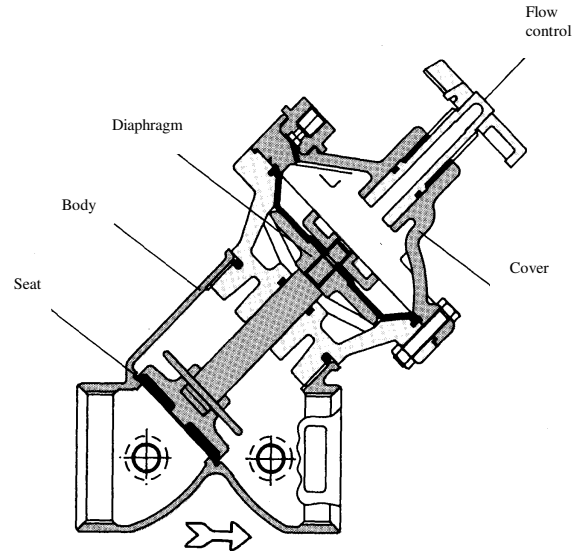


Y valve Technical Data

Flow diagram:

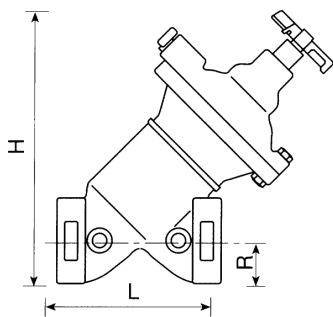


Cross-section:

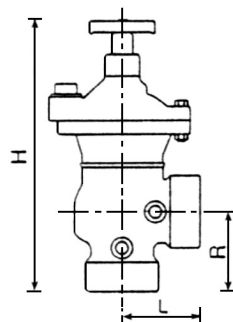


Dimensions and weights:

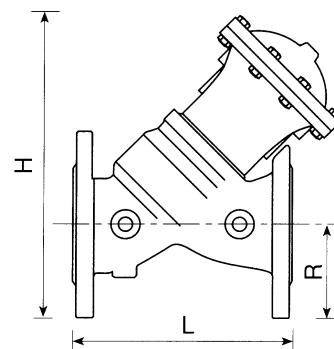
Description	Unit	Thread				Flange
Type nr.		30015Y1	30020Y1	30020H1	30030Y1	30030Y3
Connection	inch	1 1/2"	2"	2" Haaks	3"	3"
L	mm	112	124	71	210	235
H	mm	175	215	256	275	325
R	mm	30	40	75	58	98
Width	mm	105	125	135	160	200
Bolt circle dia.	mm	-	-	-	-	PN10-160
Weight	kg	1,25	2,0	2,25	7,4	14,7



Thread



Angle-patterned



Flange



UVAR

Subject to changes and/or reprints