



Pressure Reducing Valve

Pressure-reducing valves

The **Bermad** pressure-reducing valves have been especially designed for accurate and reliable pressure control.

The downstream pressure in the network is constant and equal to the preset pressure regardless of upstream pressure variations and/or flow fluctuations.

Product features:

The use of a rolling diaphragm ensures:

- a separation between the mechanism and the volume flow; this results in a long trouble-free service life.
- accurate operation due to minimal resistance to movement.

Various springs are available for each type according to the pressure to be set.

The valves are supplied with adjustable setting pressure.

Applications:

- At each point where pressure is to be reduced.
- Overpressure guard.
- To obtain an even water delivery due to the equalization of pressure

Versions:

- 3/4" - 1" - 1 1/2" plastic
- 1 1/2" brass





Pressure reducing valves Technical Data

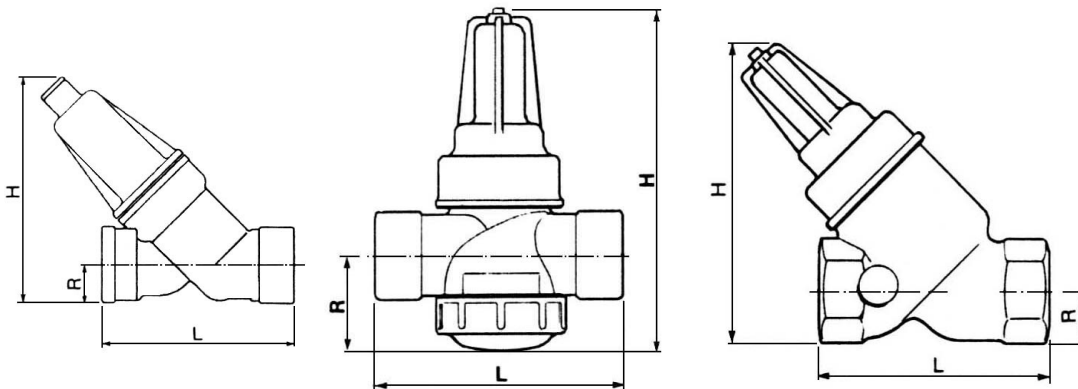
Specifications:

Materials: 3/4", 1 1/2" and 1" : plastic
 1 1/2" : brass with plastic cap
 Diaphragm: Buna-N reinforced with nylon fibres
 Seals: Buna-N and NR (natural rubber)
 Spring: RVS
 Temperature: Water up to 80° C (180° F)
 Option: Brass nickel coated (1 1/2")
 For applications with static pressure,
 "drip tight" low-flow valves can be
 provided.

Capacities, dimensions and weights:

Description	Unit	Plastic			Metal	
Type Nr.		2U1L07.	2U1007.	2U1010.	2U1015(N).	
Connection	inch	3/4"	3/4"	1"	1 1/2"	
Flow Min.	m ³ /h	0,01	0,2	0,45	0,45	
Flow Max.	m ³ /h	5	5	8	18,2	
Working pressure	bar	0,7-9	0,7-9	0,7-9	0,7-9	
Spring selection	A yellow bar	0,5-1,2	0,5-1,2			
	B white bar	0,5-2,5	0,5-2,5	0,5-1,2	0,5-1,2	
	C red bar	2,0-4,0	2,0-4,0	1,0-2,0	1,0-2,0	
	D blackt bar	3,5-6,0	3,5-6,0	1,5-3,5	1,5-3,5	
	E natural bar			3,0-5,5	3,0-5,5	
Dimensions	L	mm	88	88	114	106
	H	mm	100	100	160	155
	R	mm	17	17	45	30
	Width	mm	45	45	65	65
	Weight	kg	0,11	0,11	0,55	1,0

.When ordering: specify choice of spring with order number. Choose from: A, B, C, D or E



UVAR

Subject to changes and/or reprints