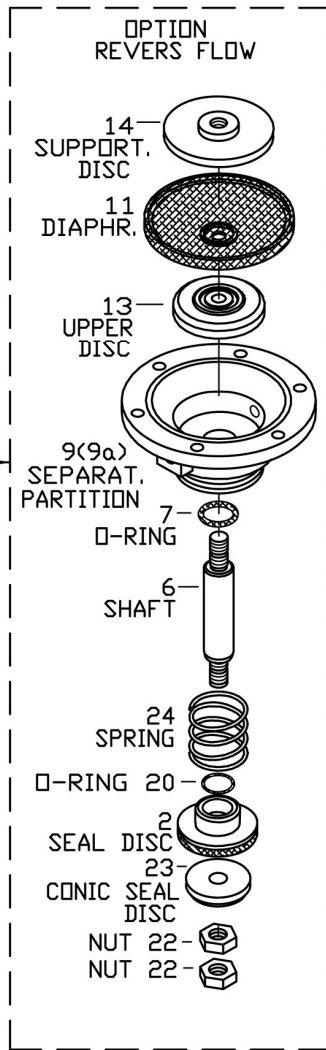
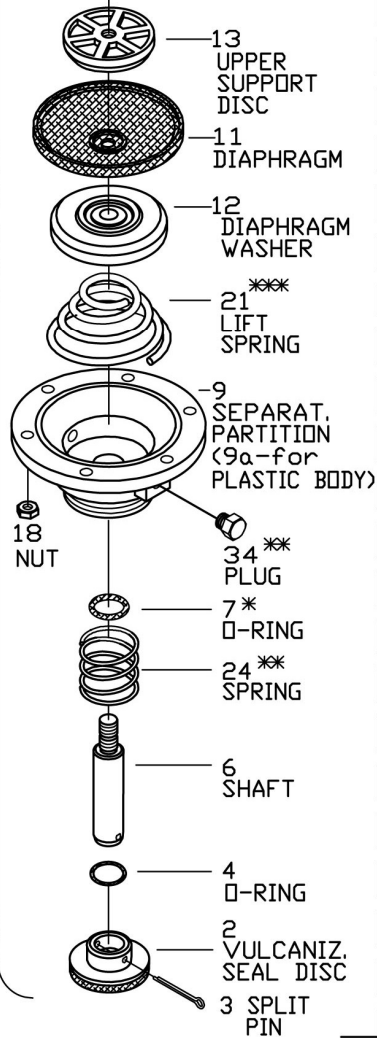
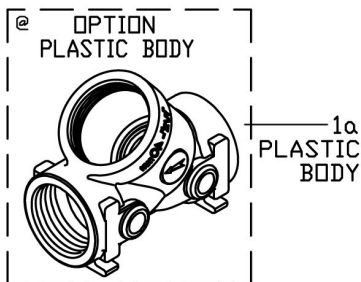
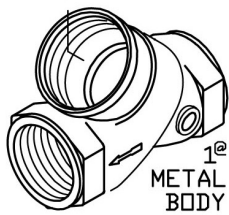
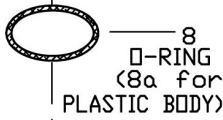
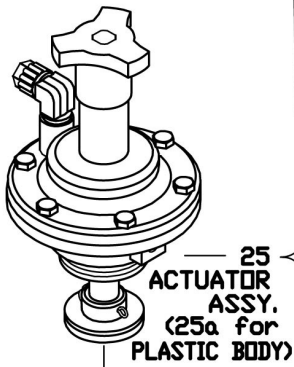
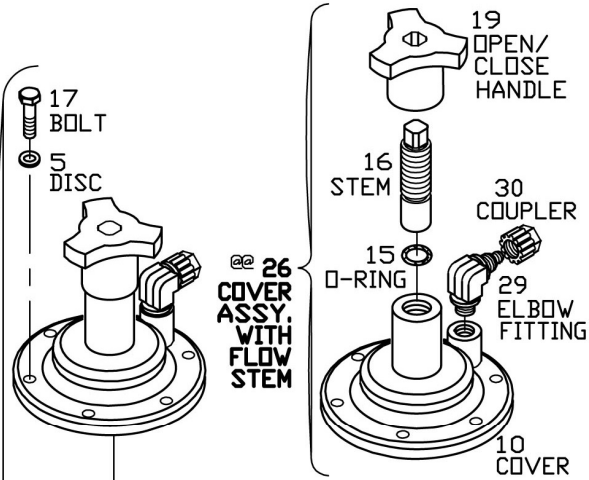
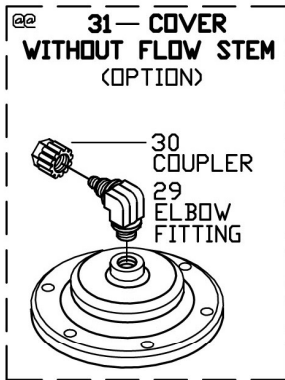


Components for Y valve:



- * FOR DOUBLE CHAMBER HYDRAULIC VALVE AND FOR HYDRAULIC VALVE WITH LIFT SPRING
- ** FOR SINGLE CHAMBER HYDRAULIC VALVE
- *** FOR HYDRAULIC VALVE WITH LIFT SPRING



Subject to changes and/or improvements