

Instruction Manual

Solenoid 2w



2w solenoid (NC):

The BERMAD 2w solenoid is a universal control valve designed for water supply and distribution applications. Made to be mounted directly to 3/4"- 3"R valves or on a separate base (solenoid base). The BERMAD solenoid excels in its small dimensions, advanced operation and high reliability. It is designed to operate on 24 V (option 12 V) low power.

The 2w solenoid offers the following excellent advantages:

- Unique plastic housing
- low sensitivity to dirt and voltage fluctuations
- low working temperature

Materials:

Seals: NBR

Parts in contact with water: stainless steel 400, Nylon

Technical specifications:

Voltage tolerance $\pm 10\%$

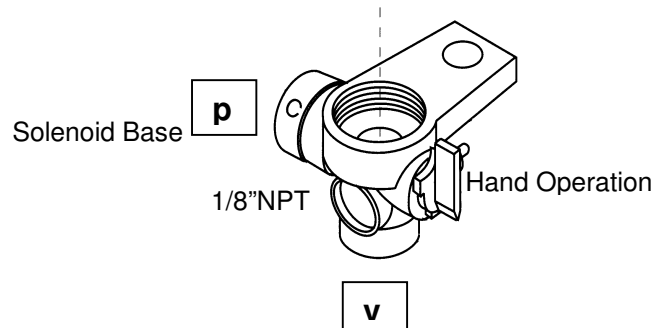
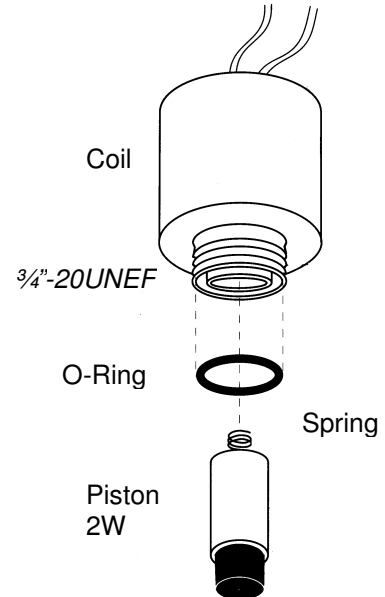
AC 1.7W – DC 3.6 W

Kv solenoid : 1.33 L/m, orifice 1.8 mm

Working pressure : 0-10 bar

Application:

- 3/4" to 2" standard on 2w valve
- pressure-reducing valve
- float-controlled valves
- **2w piston**



Art.no.	Voltage <u>Volt</u>	Model	Function	Colour <u>wires</u>	Current <u>Amp</u>	Resistance <u>Ohm</u>
2U202390	24VDC	S390-2	2w	black	0.18	170
2U203390	24VAC	S390-2	2w	red	0.25 / 0.125	35





Instruction Manual

Solenoid 3w

3w solenoid (NO):

The 3w solenoid is a universal control valve designed for water supply and distribution applications. Made to be mounted directly on 3/4" – 3"R valves or on a separate base (the solenoid base). The solenoid excels in its small dimensions, advanced operation and high reliability. It is designed to operate on 24V (option 12V) low power.

The 3w solenoid offers the following excellent advantages:

- less sensitive to dirt and voltage fluctuations.
- relatively low working temperature.
- saves on cable costs due to voltage losses being minimal.

Materials:

Seals: NBR

Parts in contact with water: stainless steel 400, Nylon

Technical specifications:

Voltage tolerance of ±10%

DC-NO/NC 4.2 Watts

D-AC-NO 2.2 Watts

R-AC-NO 2.9 Watts

D-AC-NC 3.5 Watts

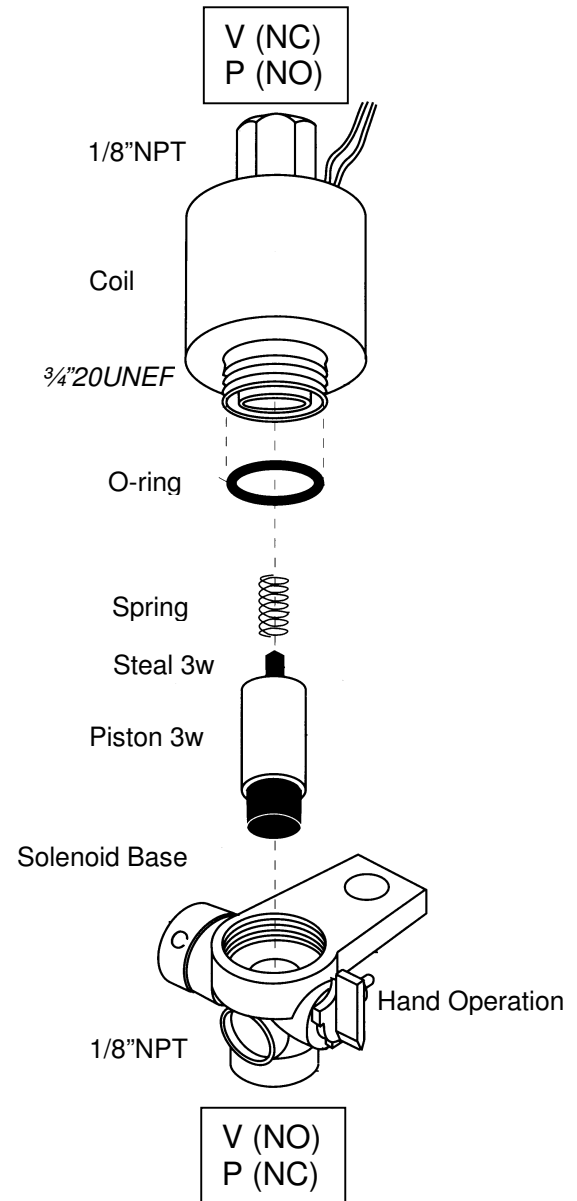
Kv solenoid: 0.8 l/min, orifice 1.6 mm

Kv solenoid base 1.33 l/min, orifice 1.8 mm.

Working pressure 0-10 bar

Application:

- 3/4 to 4" standard 3w valve
- Pneumatic valve



Art.no.	Voltage <u>Volt</u>	Model	Wire <u>colour</u>	Current <u>Amp</u>	Resistance <u>Ohm</u>
2U204390	24VDC	S390-3	black	0.17	135
2U205390	24VAC	S390-3-D	orange/red	0.13	*
2U205391	24VAC	S390-3-R	red	0.46 / 0.24	21
Option NC					
2U206390	24VDC	S390-3 NC	black	0.17	135
2U207390	24VAC	S390-3-D NC	orange/blue	0.20	*



UVAR

Subject to changes and/or improvements

Instruction Manual Solenoid Valve



3w solenoid valve (NO) :

The Bermad 3w solenoid valve is a control valve designed for water supply and distribution applications. The wide orifice (low Kv value) enables using it on larger valves. The solenoid valve comprises two important components:

- an S 400 solenoid
- a 3w 1/8" hydraulic valve

The directly operated valve has a low switching moment and is less sensitive to dirt and voltage fluctuations. In addition, an NC valve is available as an option for use on normally open valves.

Hand operation enables external control, switch with arrow set to C is the switch position: (NO) – valve opens, (NC) – valve closes! Put the switch into the vertical position, and the valve will be controlled again by the solenoid.

Valve mounting:

by a self-tapping screw through the valve foot

Materials:

Seals: NBR

Parts in contact with water: stainless steel 400, Nylon

Technical specifications:

Voltage tolerance $\pm 10\%$

AC 3.5W – DC 4.2W

Kv flow coefficient : 2 l/min, orifice 2.2 mm

Working pressure 0-10 bar

Applications:

- Electric on/off valves
- Electric float valves
- As external solenoid valve



Connections table:

Manual override black (NO)	Manual override green (NC)
1- Outlet (V)	1- Inlet (P)
2- Control (C)	2- Control (C)
3- Inlet (P)	3- Outlet (V)

Art.no.	Voltage	Model	Wire Colour	Current Amp	Resistance Ohm
2U204400	24VDC	S400 24VDC -NO	black	0.17	135
2U205400	24VAC	S400 24VAC-D-NO	red/blue	0.20	*
NC Option					
2U207400	24VAC	S400 24VAC-D-NC	red/blue	0.20	*

