



hY Flow (KY Valve)

hY Flow

The **Bermad** 100 Series relates to a plastic Y-pattern valve available in the sizes 2", 2 1/2", 3", 4" and 6". This design is Bermad's response to the high requirements of new designs and the needs of water systems.

The energy-efficient, ultra-high-flow plastic valve can be used for a wide range of requirements. The hY Flow has an excellent service under changing pressure and flow conditions, and has minimal flow limitations.

Unobstructed long travel ensures accurate valve movement and smooth regulation, without causing surges.

The simple design, durable at an industrial level, with few loose components guarantees an easy and simple service.

The valve is made of high-grade glass-fibre-reinforced nylon, is resistant to mechanical forces due to pressure, temperature differences and vibrations, and is resistant to corrosion. The 2" & 2 1/2" type provided with BSP external thread is easy to install with 2/3 PVC glue couplings.

The 3", 4" and 6" types provided with plastic or metal "Corona" flanges with elongated flange holes enable meeting the requirements of ISO and ANSI standards.

The spherical base of the flange on the flange adapter relieves the valve of pipe and assembly stresses.

The hY Flow operating according to the principle of the medium-controlled valve can be used, for example, for the following functions:

- Hydraulic and/or electrical control to open/close.
- Pressure-reducing
- Overflow/Pressure relief
- Level control/Float-controlled valves

Combinations of these functions are of course possible as well.





hY flow valve Technical Data

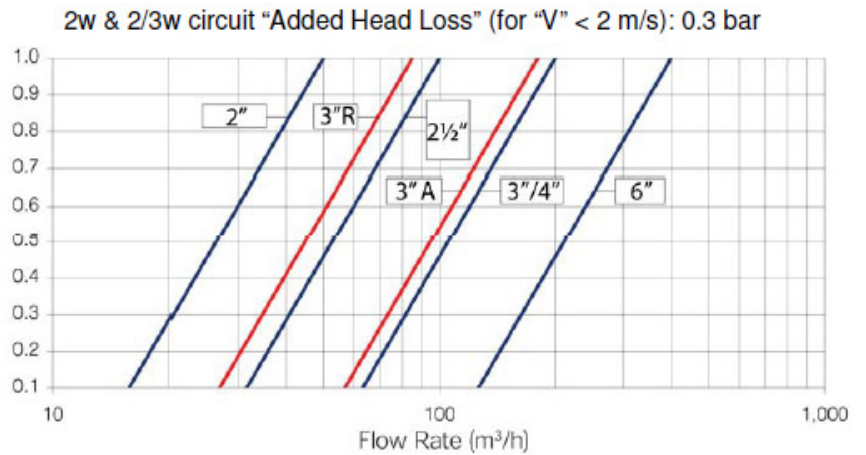
Applications:

- Automation
- Safeguard: pressure control
- Safeguard: pressure relief valve
- Thermal pump installations
- Filter flushing taps
- Re-circulation systems
- Irrigation systems
- Sprinkler systems
- Eb & flood systems
- Substrate systems

Option:

- Pneumatic control
- N.O. electric closure
- Combination of functions

Flow Diagram



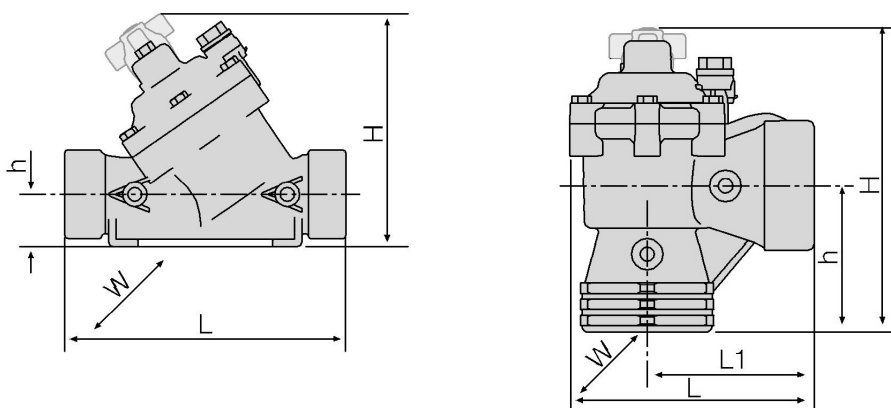
hY flow valve 6" Flange



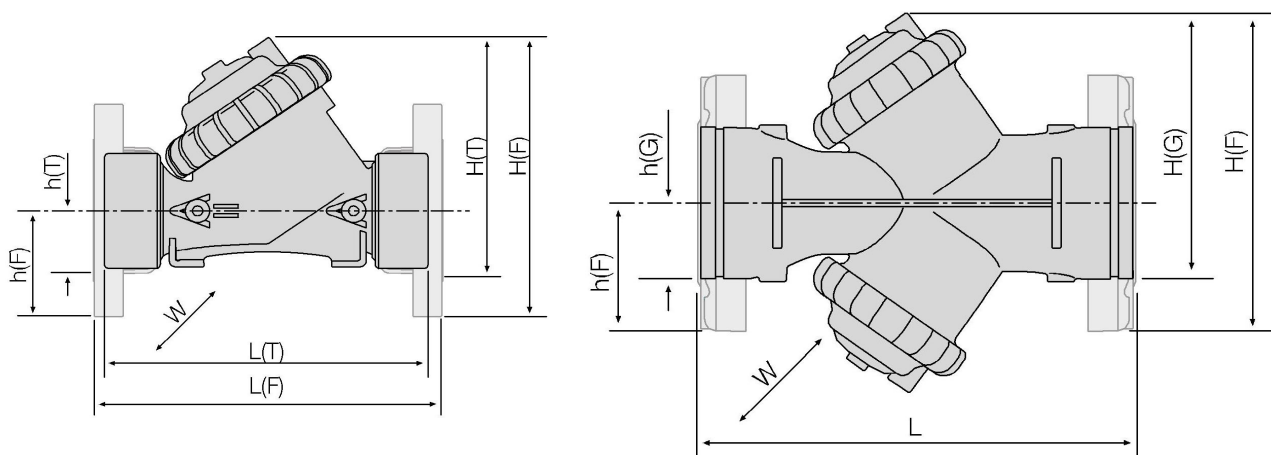
hY flow valve Technical Data

Dimensions and weights:

Description		2" HM	2½" HM w/o M	2½" HM	2½" 3w	3"R angle- patterned BSP
Typenr.	Unit	10920Y1	10926Y1	10925Y1	11125Y1	10930H1
Connection	inch	2" BSP.F	2½" BSP.F	2½" BSP.F	2½" BSP.F	3" BSP.T
L	mm	200	231	231	231	187
L1	mm	-	-	-	-	130
H	mm	156	170	195	230	245
h	mm	29	37,5	37,5	37,5	117
Width	mm	97	135	135	135	135
Weight	kg	0,8	1,2	1,3	1,6	1,6



Description		3" BSP Angle	3" BSP	3" FI.	4" FI.	6" FI.
Typenr.	Unit	10930A1	10930Y1	10930Y3	10940Y3	10960Y3
Connection	inch	3" BSP.T	3" BSP.T	3" fl.	4" fl.	6" fl.
L	mm	235	300	310	350	480
L1	mm	135	-	-	-	-
H	mm	290	240	280	290	285
h	mm	145	60	100	110	145
Width	mm	170	185	195	220	385
Weight	kg	2,8	2,9	3,8	4,5	12,5



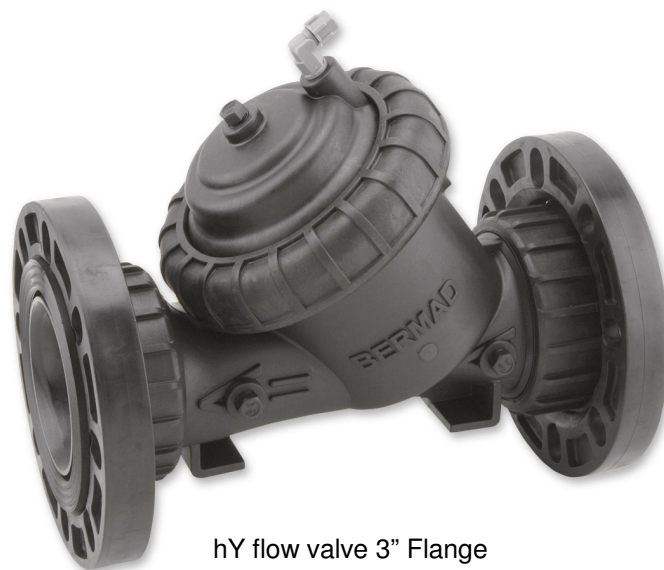
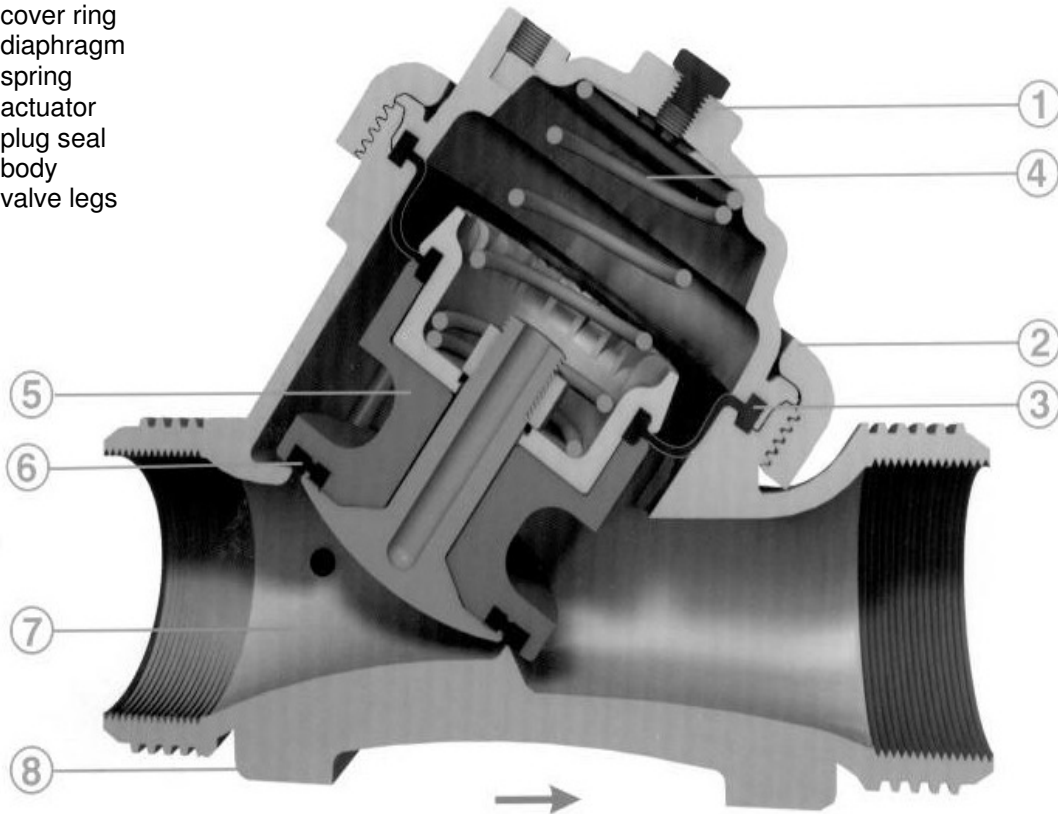
Subject to changes and/or misprints



hY flow valve Technical Data

Name components :

- 1) cover
- 2) cover ring
- 3) diaphragm
- 4) spring
- 5) actuator
- 6) plug seal
- 7) body
- 8) valve legs



hY flow valve 3" Flange



UVAR

Subject to changes and/or improvements

hY flow valve Technical Data



Specifications:

Materials:
 Body and lid : glass fibre reinforced nylon
 Spring : RVS
 Diaphragm : NBR, reinforced with nylon
 Seals : NBR

Descriptions : 2", 2 1/2" M (with flow stem) male thread BSP
 3"R angle-patterned female thread BSP
 3" female thread BSP
 3", 4" and 6" plastic flange ISO, ANSI
 options for 3", 4" and 6": - flow stem
 - metal flange
 Combination of the above

Working pressure : 0,5 – 10 bar
 Max. temperature : 80 °C



	2"	2 1/2"	3"R Angle	3" Angle	3"		4"	6"
Connections	Male thread	Male thread	Female Thread			Flange		
KV*	50	100	85	190	200	200	200	400
CCDV** (ltr.)	0,15	0,2	0,2	0,7	0,7	0,7	0,7	2x0,7
Weight (kg.)	0,8	1,4	1,6	2,8	2,9	4	4,9	12,5

* KV = flow in m³/h with 1 bar pressure loss ** CCDV = Control Chamber Displacement Volume



hY flow valve 3"R angle-patterned BSP